

baby lock[®]

Prestige

MODEL 750DS

The Original and still the best



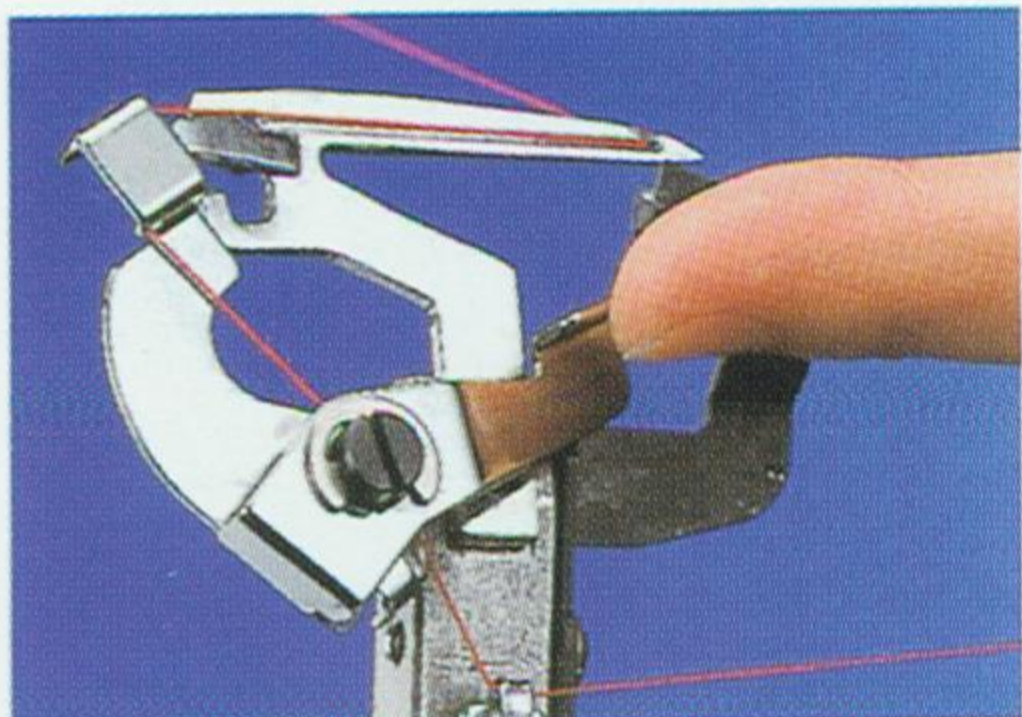
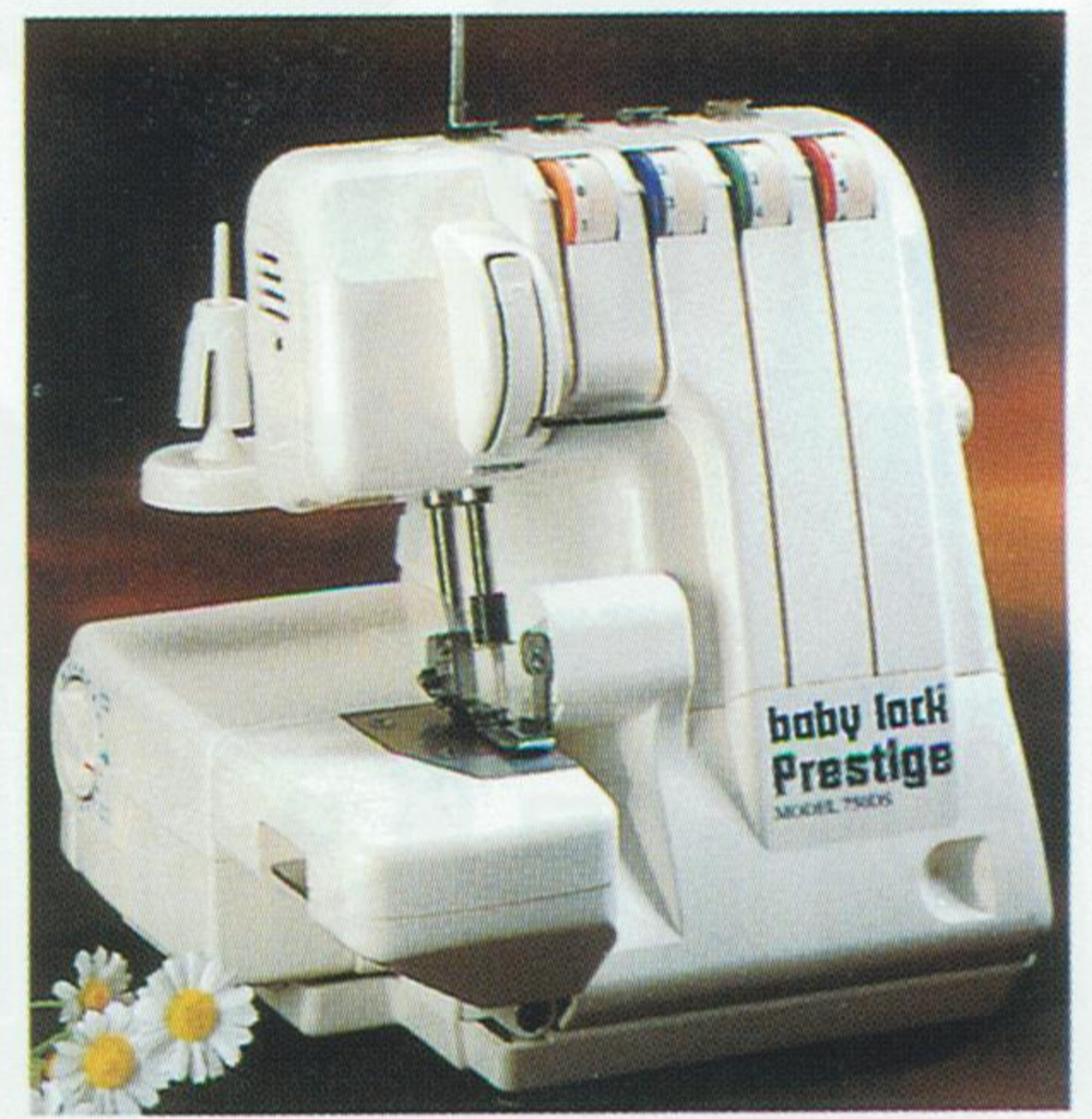
**2-Needle 3/4-Thread
Differential feed
Auto looper threader
Built-in narrow rolled hem**

baby lock®

The Original and Still the best

Prestige

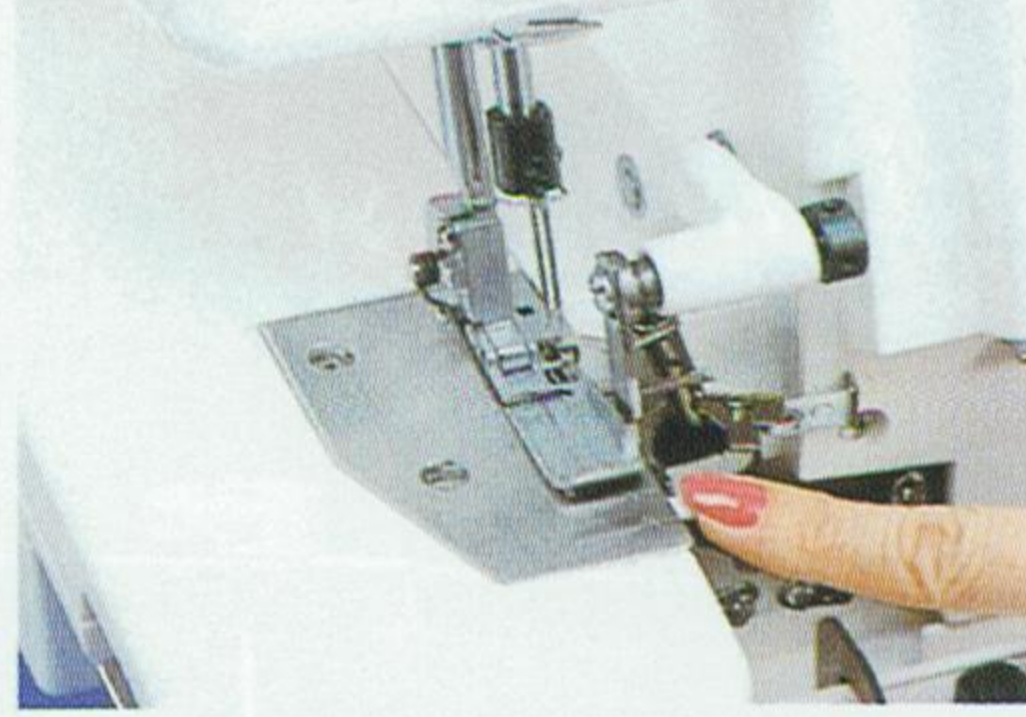
Max. Speed	Up to 1300 s.p.m.
Max. Stitch Length	1-4mm
Stitch Width	5-7mm
Differential Feed	0.8-2.0
Presser Foot Height	Max. 6mm



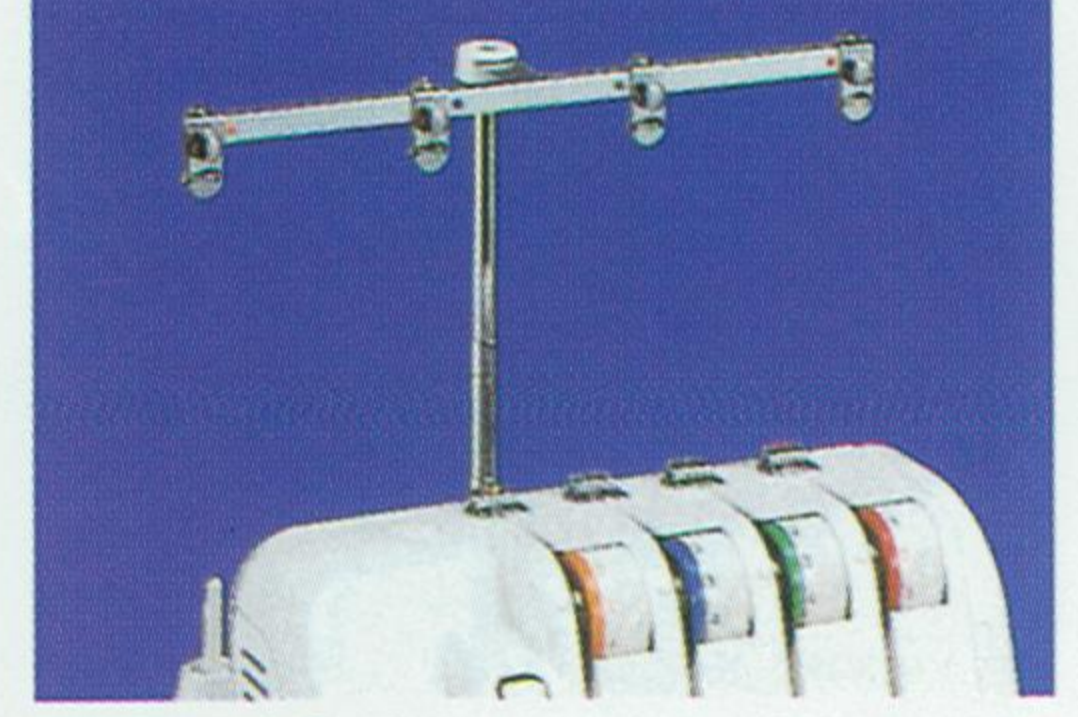
1. Auto Looper Threader
A marvellous invention to offer the quickest way to thread the lower looper with one touch.



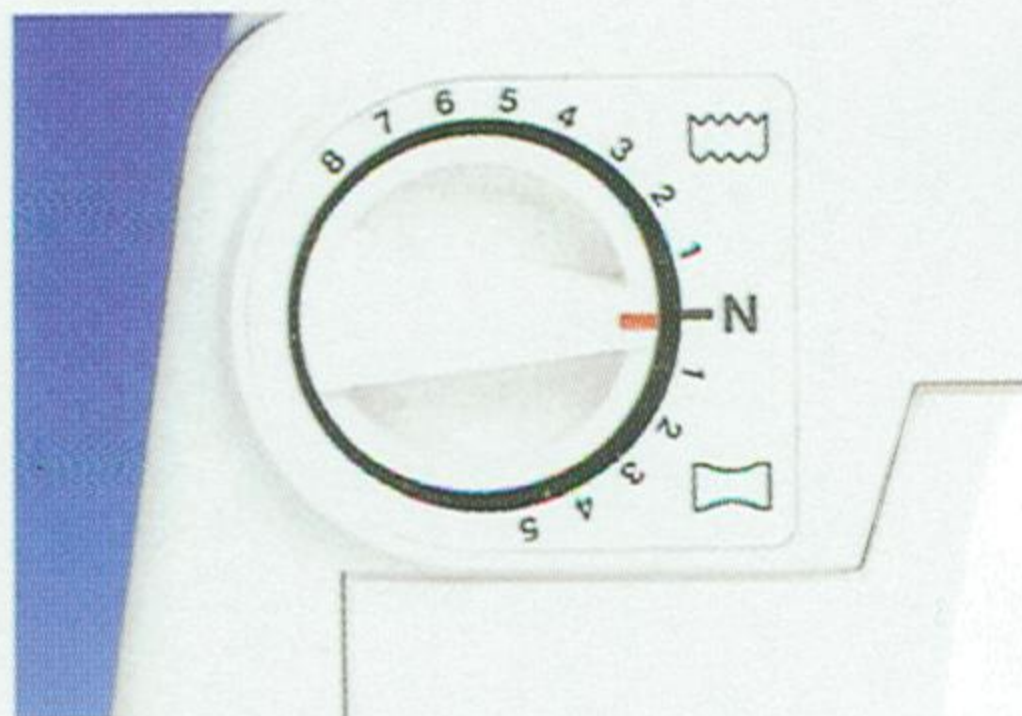
2. Built-in Accessory Box
Offers the best storage space.



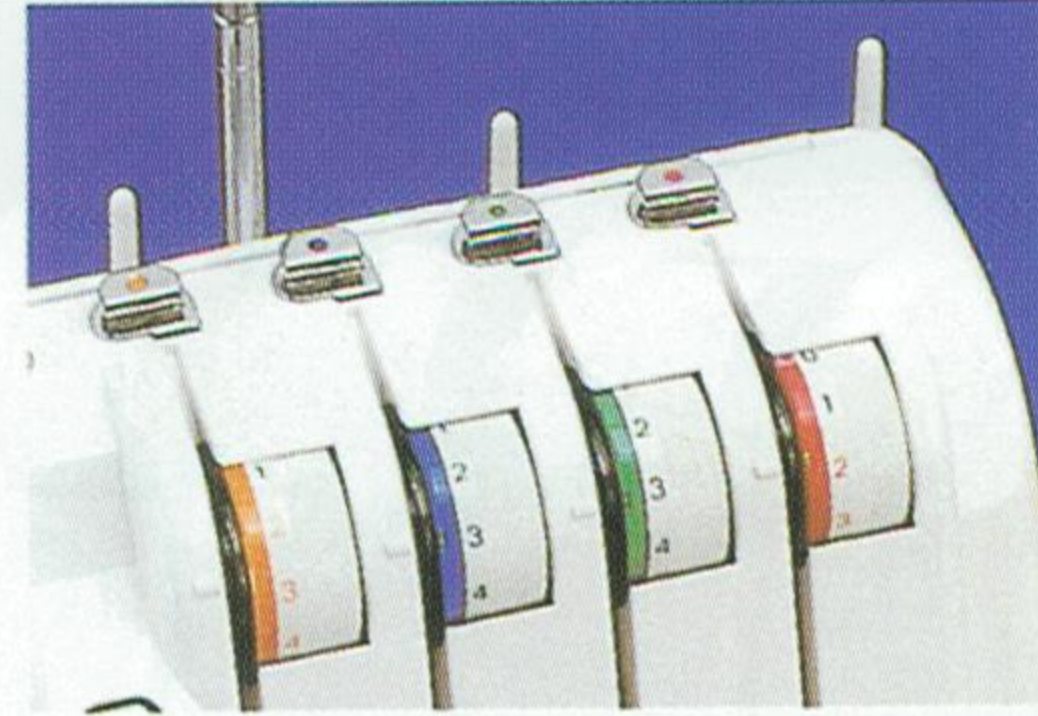
3. Built-in Narrow Rolled Hemming
By finger tip control without changing the needle plate, "N" for normal sewing "R" for narrow and rolled hem sewing.



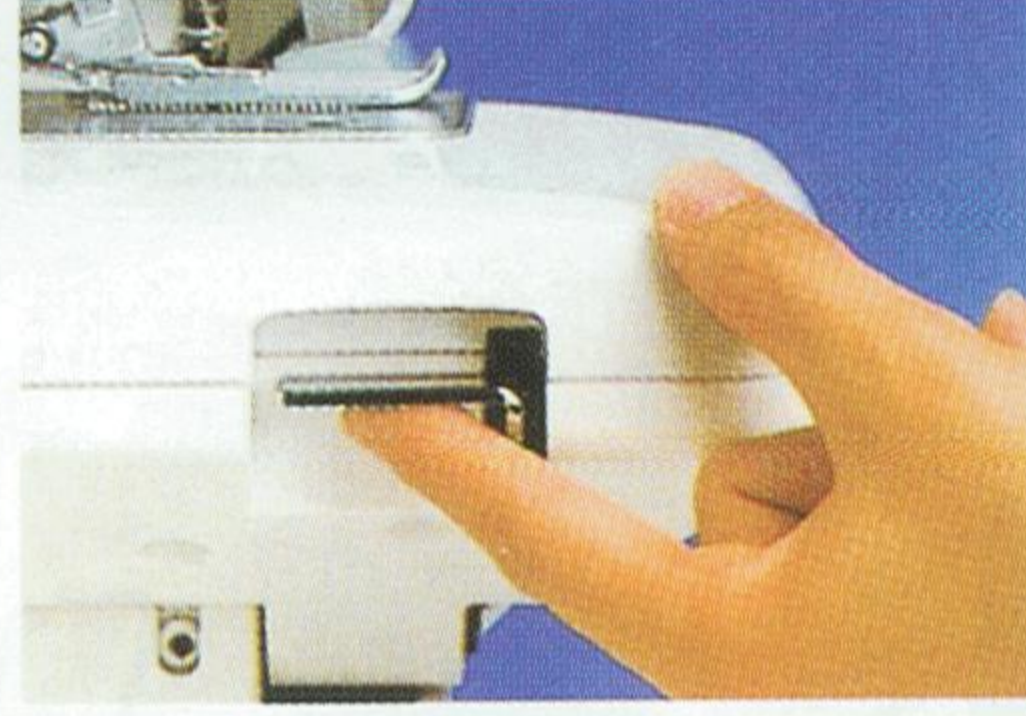
4. Thread Guide
Newly designed thread guides control the threads to prevent twisting and tangles.



5. Differential Feed
With varied differential feed adjustment to produce flat seams in knits, and prevent puckering in fine fabrics.



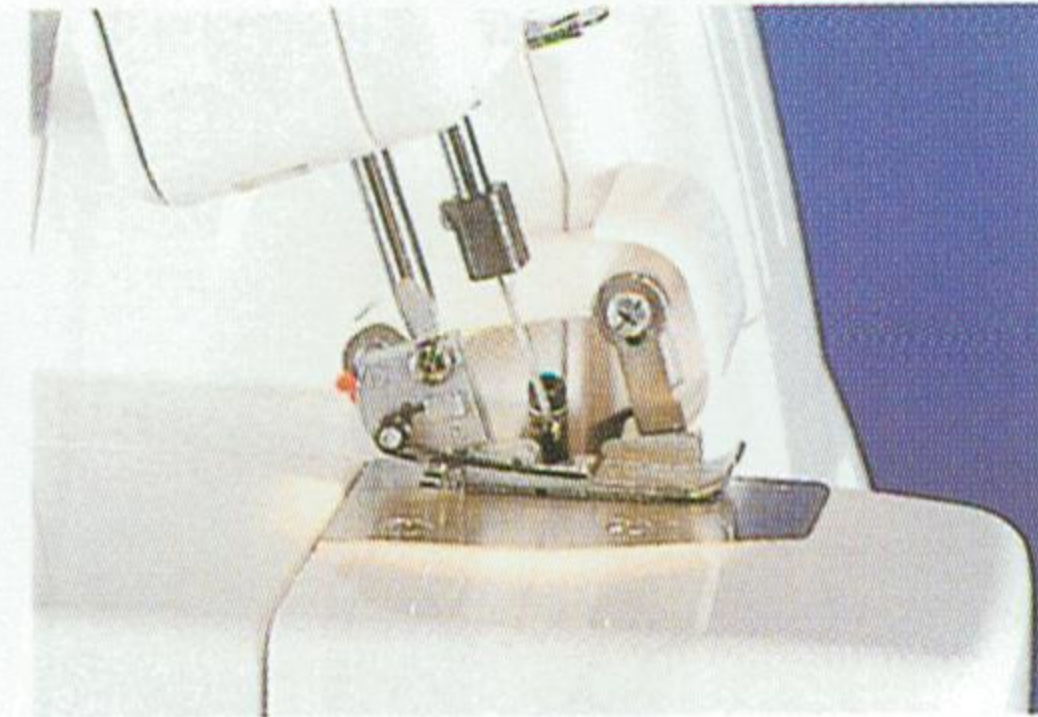
6. Colour Coded
For correct threading without mistakes



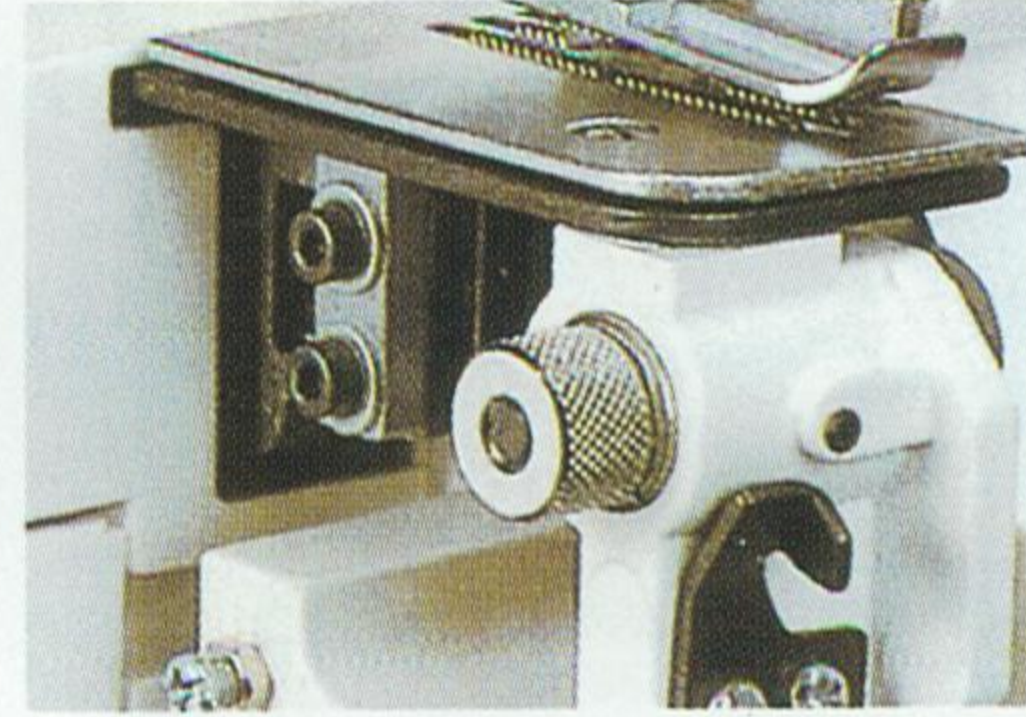
7. Quick-release Sewing Table
One touch removes the sewing table.



8. Snap-on Presser Foot
Fingertip touch for quick feet changes.



9. Built-in Lamp
To light up the sewing area.



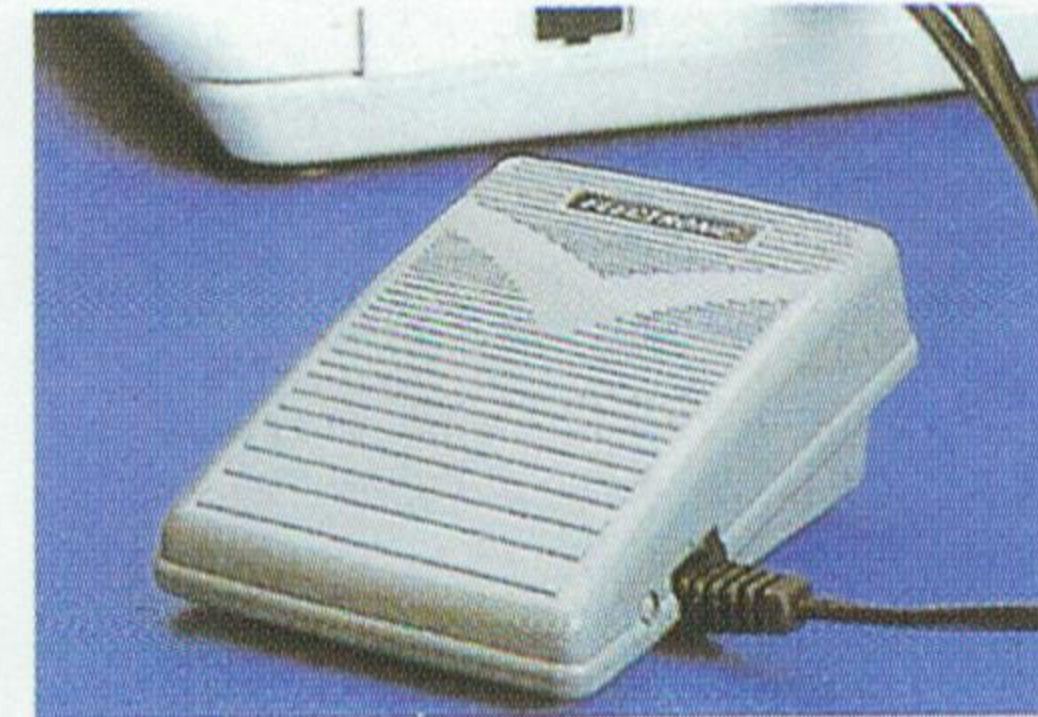
10. Cutting Width Knob
Provides a stitch width of up to 7mm.



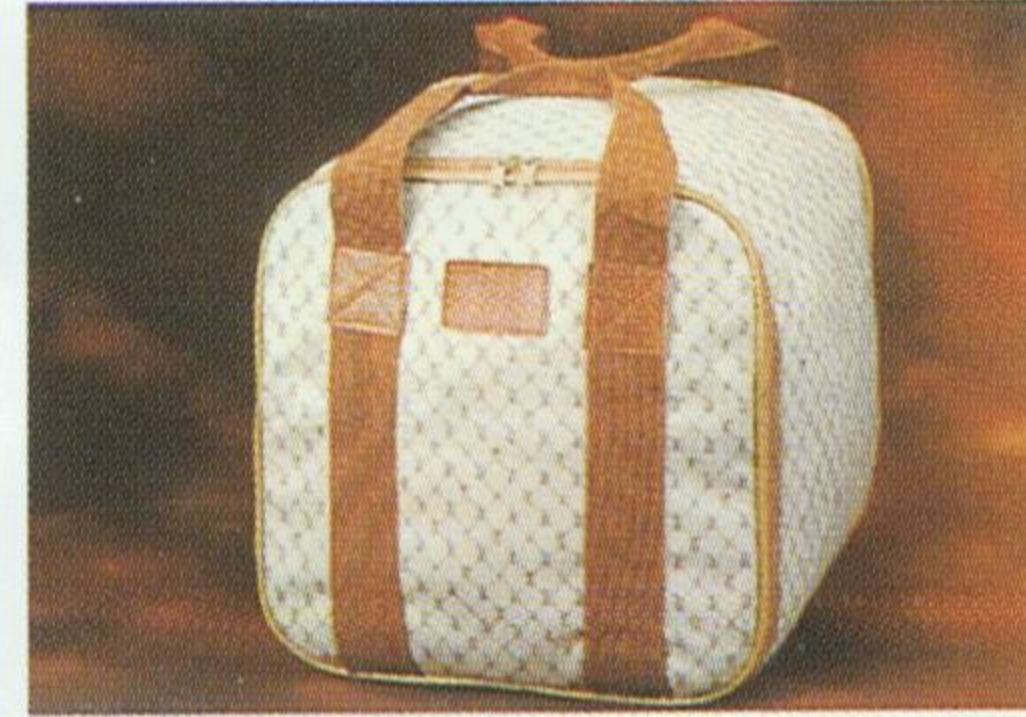
11. Stitch Length Dial
To offer an accurate stitch length from 1mm to 4mm.



12. Built-in Handle
For safe carrying.



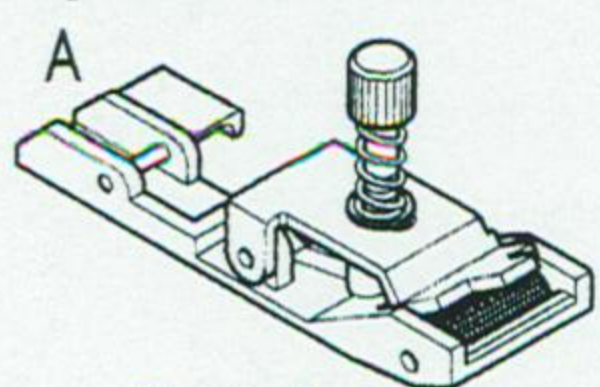
13. Electronic Speed Controller
Without any heat produced



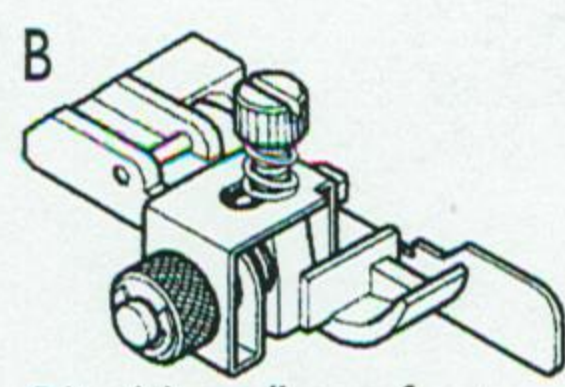
14. Soft carrying case (* optional)
easy to carry



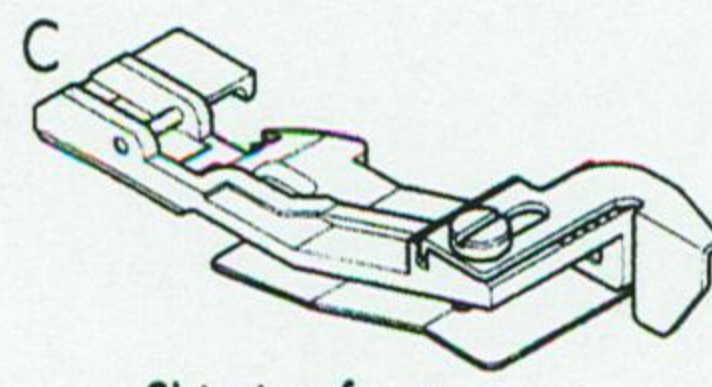
*Optional feet



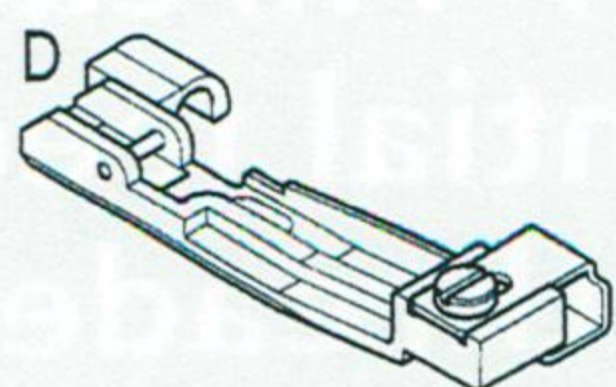
Elastic foot



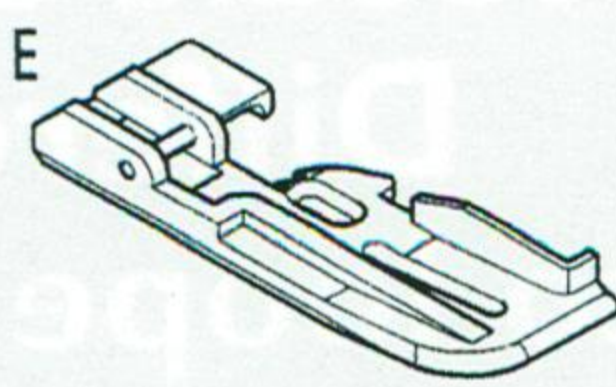
Blind hem/Lace foot



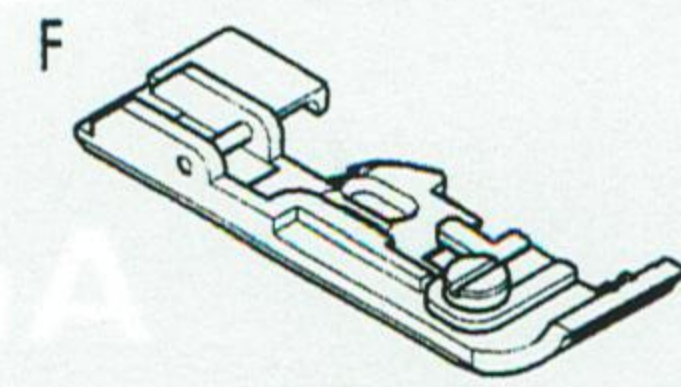
Shirring foot



Bead/Sequin foot



Cording foot



Taping foot